

InBody770

User's Manual



Please note the important information below before reading this manual.



Failure to comply with safety warnings and regulations can cause serious injury or death.



Failure to comply with safety cautions and regulations can cause injury or property damage.

InBody

InBody Co., Ltd. [HEAD OFFICE]

625, InBody Bldg., Eonju-ro, Gangnam-gu, Seoul 06106 Republic of Korea

TEL: +82-2-501-3939

FAX: +82-2-578-5669

Website: inbody.com

E-mail: info@inbody.com

©2020 InBody Co., Ltd. All rights reserved.

Reproduction, adaptation, or translation of this manual is prohibited without prior written consent from InBody Co., Ltd. under the copyright laws. This manual might have typographical errors, and its content can be changed without a prior notice. InBody Co., Ltd. shall not be liable for any errors, incidental, or consequential damages that occurred by not complying with the content of the User's Manual.

Visit our website inbody.com to view and download further information about the functions of the InBody770, the explanation of results output, and more. InBody Co., Ltd. reserves the right to modify the appearance, specifications, and etc. of the InBody770 to improve the quality of the product, without prior notice for reasons of performance improvement.

Representative & Sponsor Information

InBody Europe B.V.

Gyroscoopweg 122, 1042 AZ, Amsterdam, The Netherlands

TEL: +31-20-238-6080 FAX: +31-6-5734-1858 Website: nl.inbody.com E-mail: info.eu@inbody.com

Australian Sponsor. [AUSTRALIA]

Emergo AUSTRALIA. Level 20, Tower II, Darling Park, 201 Sussex Street, Sydney, NSW 2000, AUSTRALIA

TEL: +61-2-9006-1662 FAX: +61-2-9006-1010 Website: emergogroup.com E-mail: Sponsor@emergogroup.com

Customer Service Information

InBody USA [USA]

13850 Cerritos Corporate Dr. Unit C Cerritos, CA 90703 USA

TEL: +1-323-932-6503 FAX: +1-323-952-5009 Website: inbody.com E-mail: info.us@inbody.com

InBody Japan [JAPAN]

Tani Bldg., 1-28-6, Kameido, Koto-ku, Tokyo 136-0071 Japan

TEL: +81-3-5875-5780 FAX: +81-3-5875-5781 Website: inbody.co.jp E-mail: inbody@inbody.co.jp

InBody China [CHINA]

904, XingDiPlaza, No.1698 YiShanRoad, Shanghai 201103 China

TEL: +86-21-64439705 FAX: +86-21-64439706 Website: inbodychina.com E-mail: info@inbodychina.com

InBody770

User's Manual Contents

I. InBody770 Installation

A. Product Components	4
B. Operating Environment	5
C. Installation Instructions	5
D. Initial Setup	10
E. Connecting Printer, Stadiometer, Blood Pressure Monitor, and Barcode Reader	14
F. Maintenance	17

II. InBody Test

A. Precautionary Steps	18
B. Test Instructions	19
C. Test Posture	20

III. Transportation and Storage

A. Cautions during Transportation	21
B. Repacking Instructions	21
C. Transportation and Storage Environment	23

IV. Frequently Asked Questions (FAQ)

A. Regarding the InBody	24
B. Regarding the InBody Test	26

V. Others

A. Exterior and Functions	27
B. Safety Information	30
C. Classification	31
D. Specifications	31

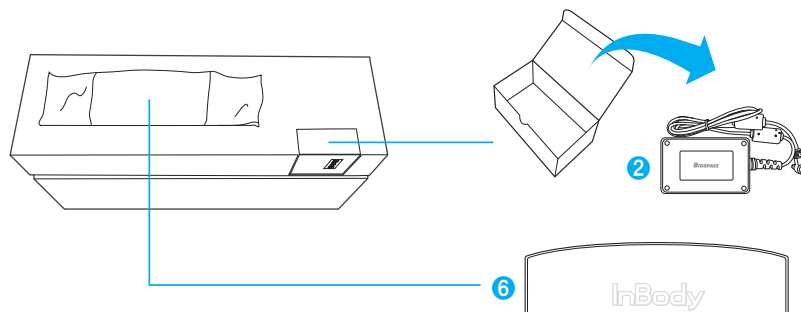
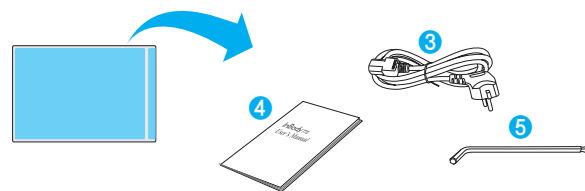
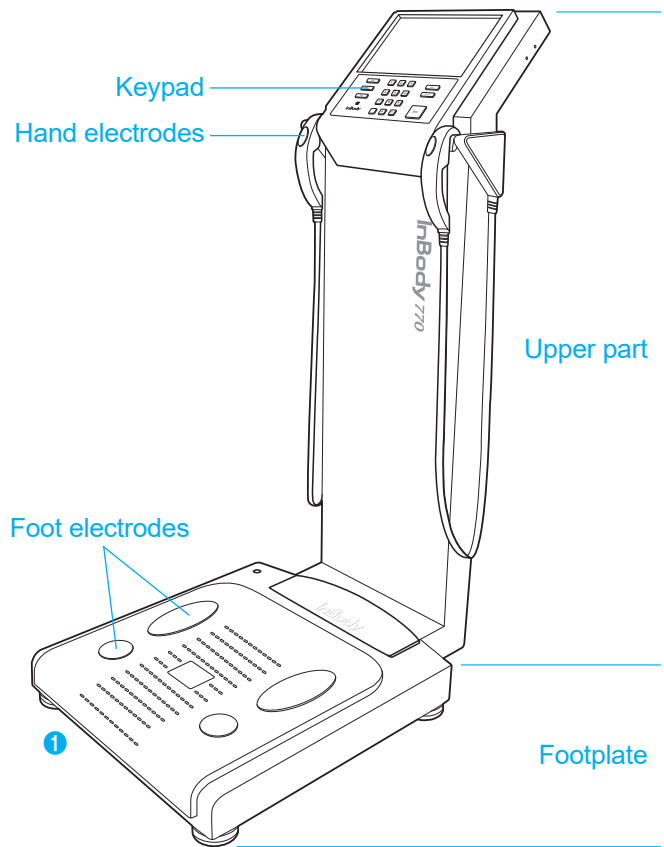
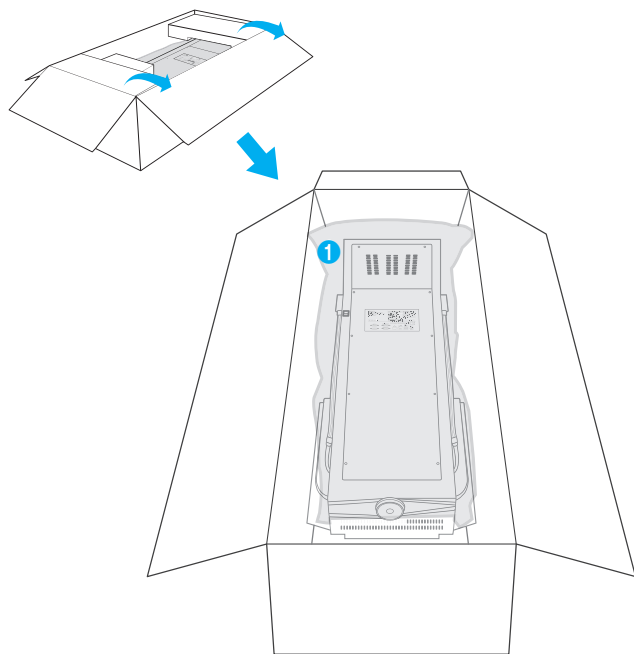
I. InBody770 Installation

A. Product Components

The InBody770 consists of the following components. Please make sure all of the following components are present.

* Please inspect each component of the InBody770 for defects prior to installation.

- ① InBody770
- ② Adapter (DC 12V, 3.4A/3.34A) 1 EA
- ③ Power cord 1 EA
- ④ User's Manual 1EA
- ⑤ Hexagonal Wrench
- ⑥ Hinge Cover



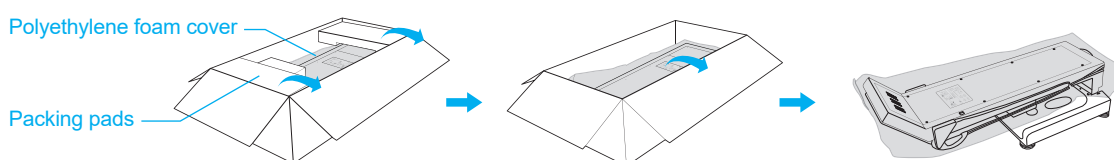
B. Operating Environment

Please make sure that the environment is adequate for the InBody770 installation. This equipment is designed for indoor use. If installing outdoors, the following requirements must be fulfilled.

Temperature range	10 ~ 40°C (50 ~ 104°F)
Relative humidity	30 ~ 75% RH
Atmospheric pressure	70 ~ 106kPa

C. Installation Instructions

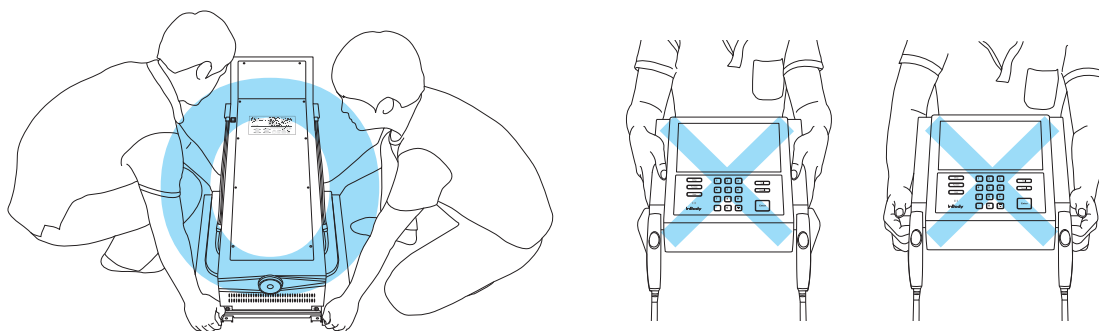
1. Open the packing box of the InBody770 and remove the packing pads. Then take the InBody770 out of the box.



! Caution

- If you have any problems installing your InBody770, please contact InBody for assistance.
- Do not transport the equipment by holding the screen portion or the joints of the hand electrodes.
- Keep the packing materials provided for repacking the equipment in the future. Other wastes should be disposed of according to relevant laws and regulations.

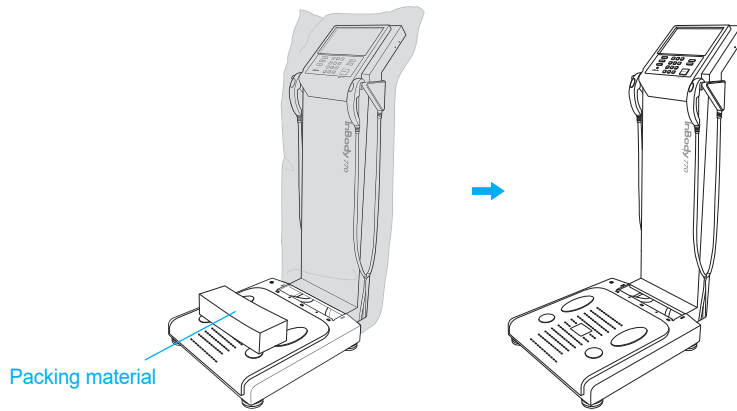
* Please refer to the following illustrations to properly transport the equipment.



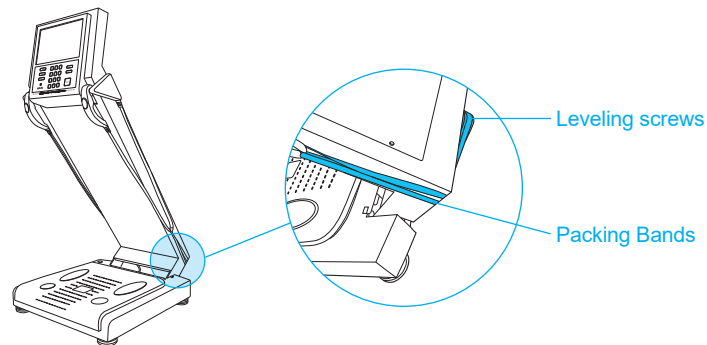
! Caution

- Using the InBody770 on carpet may cause static electricity, which could damage the equipment. If installing the InBody770 on carpet is unavoidable, please use an antistatic mat.
- Install the InBody770 on a leveled, non-vibrating surface. Installing the equipment on an uneven surface may cause the examinee to fall down. Test results may also be inaccurate.
- Never clean the hand and foot electrodes with liquid spray or detergent directly. The equipment may corrode and/or malfunction if the liquid or detergent leaks inside. Use the InBody Tissue when cleaning the InBody770.

2. After completely raising the upper part of the InBody770, remove the polyethylene foam cover. Then remove the packing material from the footplate.



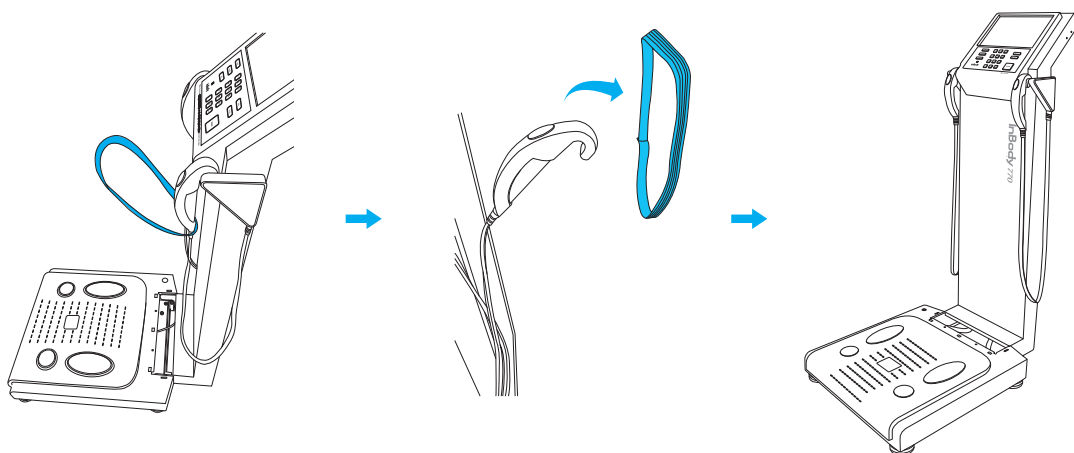
3. Slightly lower the upper part of the InBody770 and remove the packing bands, which are used to connect the leveling screws and the hand electrode cables.



! Caution

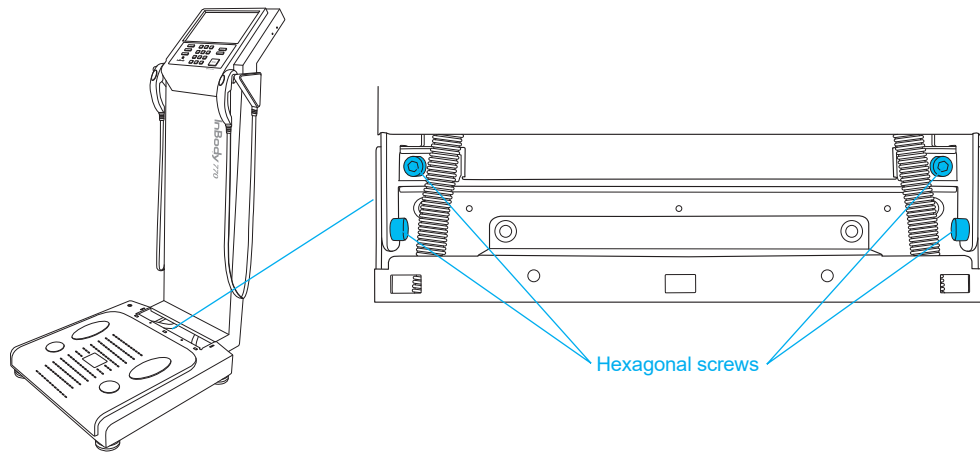
- Do not use a knife or scissors to remove the packing bands. Keep packing bands for repacking the InBody in the future.

4. Please refer to the following illustrations to remove the Packing Bands from both hand electrode cables.

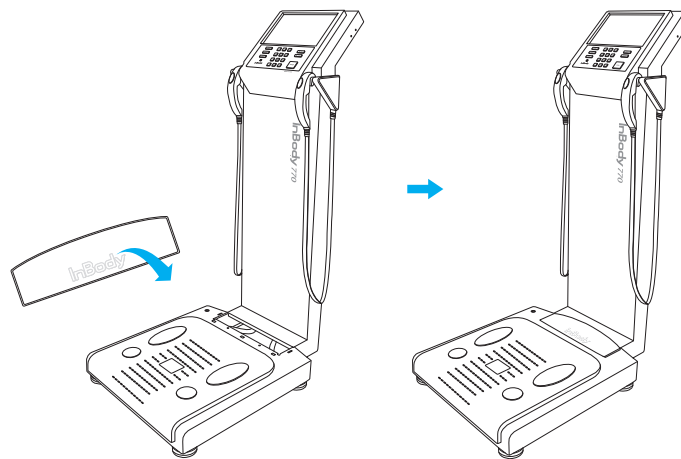


5. Completely raise the upper part of the InBody770.

6. Tighten the hexagonal screws, on the InBody770 joint, by rotating the Hexagonal Wrench clockwise.

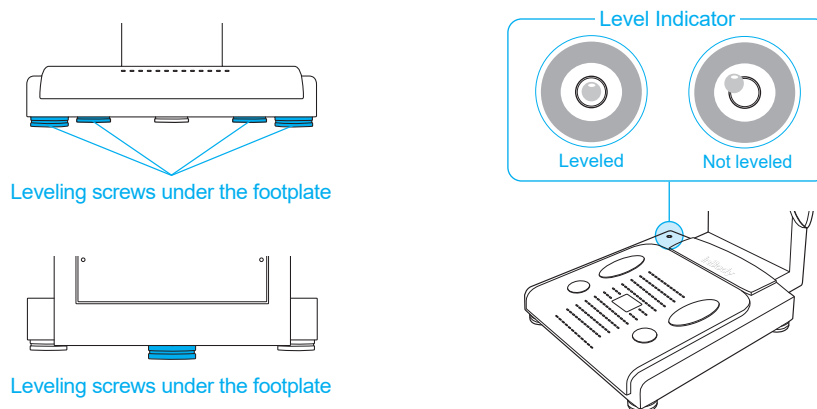


7. Please refer to the following illustrations to insert the Hinge Cover.



8. Level the InBody770 by rotating the leveling screws under the footplate to the left and right so that the air bubble is centered.

* Leveling the equipment is necessary for accurate measurement of weight. There are a total of 5 leveling screws.

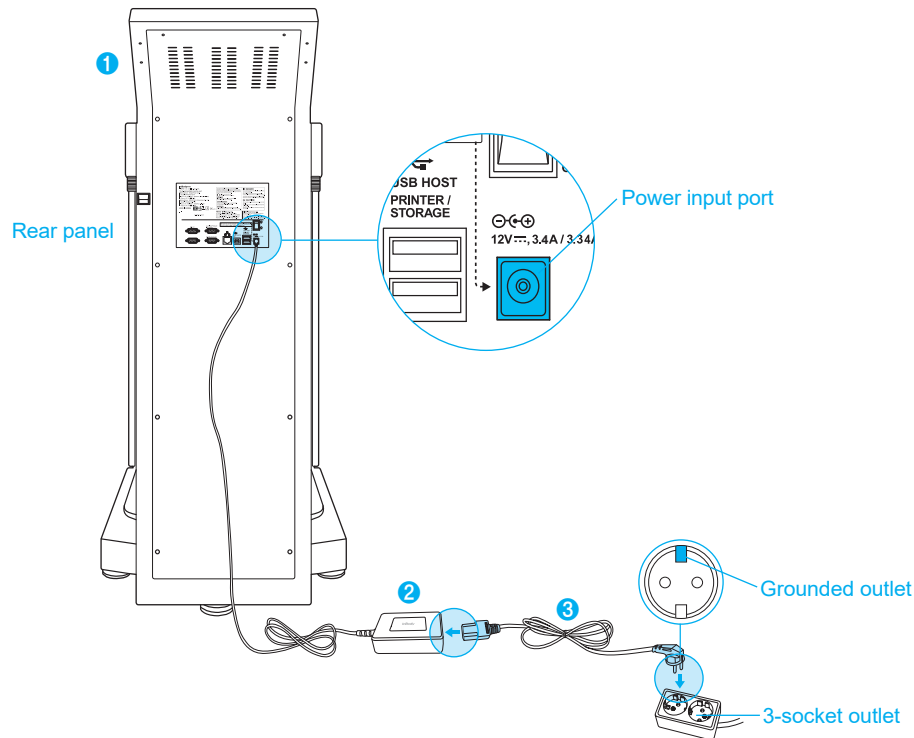


! Caution

- Avoid injuring your hands when rotating the leveling screws under the footplate.

9. Connect the adapter (2) to the power input port, which is located on the rear panel (1). Connect the adapter (2) to the power cord (3). Plug the power cord (3) into a grounded 3-socket outlet.

* The InBody770 can be used in connection with other test equipment such as a stadiometer, a blood pressure monitor, or data management software called Lookin'Body120. For more information, please refer to 'A. Exterior and Functions 3. Rear Panel' in section 'V. Others' in this User's Manual.



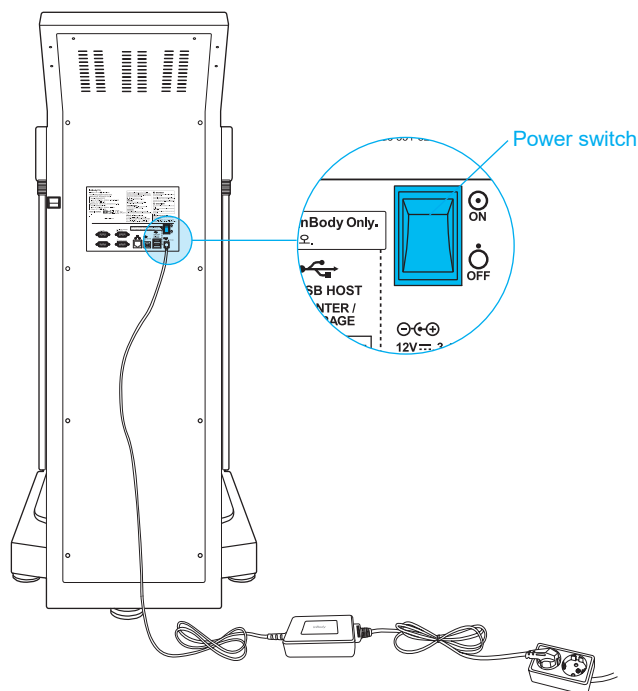
Warning

- Do not place the InBody770 in a location making it difficult to disconnect the power cord.
- Do not plug in or pull out the power cord with wet hands. There is a risk of an electric shock.
- Always use an outlet connected to the rated power (AC 100 - 240 V). Using other power rated outlets may result in fire or malfunction.
- When using a power surge protector, make sure that the outlet or the extension cable has adequate power capacity.
- Do not disassemble or modify the equipment including internal parts without written consent from the manufacturer. This may cause electric shock or injury, product malfunction, inaccurate results, and will void the manufacturer's warranty.
- Do not directly contact the InBody770 with any other electronic device when the InBody770 is on. This may result in an electric shock.

 **Caution**

- If the InBody770 is not plugged into a grounded outlet, it may cause damage through electric surges or product malfunction. This may affect the test results.
- The test results may be inaccurate if the InBody770 is under electrical interference. Do not install the InBody770 near products that generate electrical interference such as fluorescent lights, large AC motor equipment (treadmill, vibration plate, refrigerator, air-conditioner, compressor, etc.), high-frequency thermal therapy equipments, or heating appliances. Do not share the power source of the InBody770 with other electrical devices. This may affect the test results.
- When connecting the InBody770 with other test equipment, turn on the other equipment first. When turning off other equipment, turn off the InBody770 first. This is necessary to minimize electrical surges on the InBody770.
- Always use the specified adapter provided by InBody as it is a part of the InBody770. Using other adapters may result in malfunction of the InBody770.
- Operation of the InBody770 2,000m above sea level may affect the weight measurement.

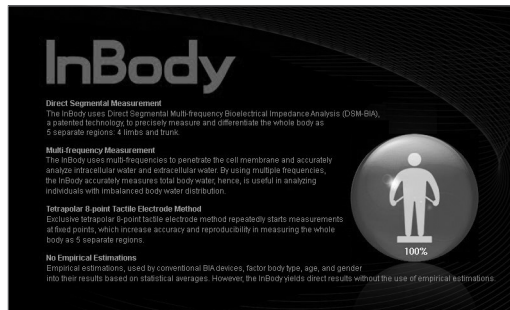
10. Flip the power switch to turn on the InBody770.



D. Initial Setup

1. The InBody770 automatically starts booting when it is turned on. While booting, it performs a self weight calibration.

* While booting (about 5 minutes), make sure there is nothing on top of the footplate. Please do not stand on the footplate, or place objects on the footplate.



2. Press the [Administrator Menu] button on the screen, which appears when no one is on the footplate.



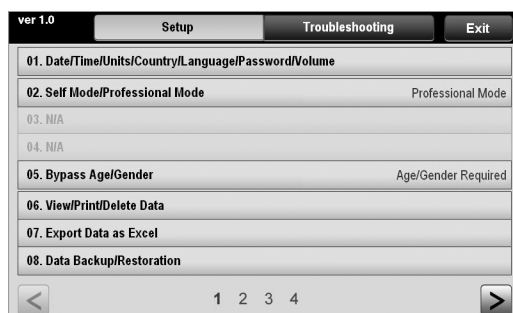
Administrator Menu

3. Input the password (default password: 0000) to access the Administrator Menu.

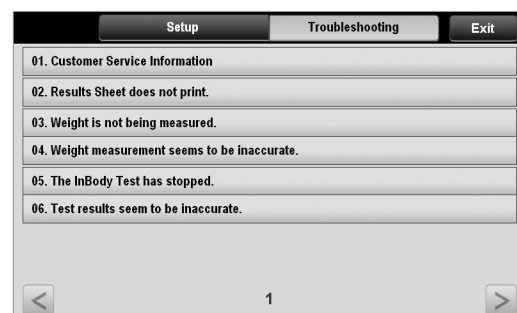


4. The Administrator Menu will give you access to 'Setup' and 'Troubleshooting'.

* If you store the contact information for Customer Service under '24. Customer Service Information' in Setup of the Administrator Menu, you can refer to it when you have a question or a problem with the InBody770.



Setup



Troubleshooting

1) Setup: Configure settings and manage data according to the test environment.

01. Date/Time/Units/Country/Language/Password/Volume

: Change or modify the InBody's basic settings.

02. Self Mode/Professional Mode

- Self Mode: The examinee takes the InBody Test by entering only his/her height.

Throughout the test, instructions and the InBody Information will be shown on screen.

- Professional Mode: An examiner is present and guiding the examinee through the InBody Test.

03. N/A

04. N/A

05. Bypass Age/Gender

: The examinees can bypass inputting their age or gender if the test environment is designed for testing only adults or a specific gender.

06. View/Print/Delete Data

: The administrator can manage test results using ID.

07. Export Data as Excel

: You can export test results as an excel file on a USB Thumb Drive. Exported test results can be viewed as an excel file on a computer.

08. Data Backup/Restoration

: Back up the InBody Test results to a USB Thumb Drive or restore test results using a backup file on a USB Thumb Drive.

09. Printer Setup

: Connect the printer to the InBody. A connected printer will allow for printing results sheets after testing.

10. Results Sheet Types

: Select which results sheets to utilize with the InBody770.

(InBody Results Sheet, InBody Results Sheet for Children, and Body Water Results Sheet).

11. Automatic Printing Options

: Print applicable results sheets automatically after each completed test. The InBody can print up to 2 copies after every test.

12. Paper Types

: Select the paper type for printed results sheets. Options include blank A4 paper or pre-printed InBody Results Sheets provided by InBody.

13. Outputs/Interpretations for Results Sheet

: Select outputs or interpretations that will appear on the right side of the InBody Results Sheet, InBody Results Sheet for Children, and Body Water Results Sheet.

14. Results Sheet Custom Logo

: Insert a logo on upper right corner of the printed results sheet.

* Please contact InBody for help with uploading or modifying a logo.

15. Printing Alignment

: Adjust the alignment of where the results will be printed on the results sheets.

16. Internet Options

: You can connect the InBody to the Internet. When the InBody is connected to the internet, can connect to data management software Lookin'Body120, regardless of location.

17. Bluetooth

: Connect the InBody770 to data management software Lookin'Body120 via Bluetooth.

18. Manual/Automatic Weight

: Select whether to have weight automatically weighed or manually entered before testing.

19. Adjust Weight

: Adjust measured weight by a fixed value on the InBody. (Example: Workout clothes at the gym are approximately 0.2kg; most examinees are assumed to be wearing workout clothes, so the examiner may adjust the set value to -0.2kg.)

20. Normal Range

: Set the normal range for BMI, Percent Body Fat and Waist-Hip Ratio.

* The ideal value of BMI may also be set.

21. N/A

22. Standard Child Growth Curve

: Set the type of standard child growth curve to use on the InBody Result Sheet for Children.

23. Touchscreen Alignment

: Adjust the alignment of the touchscreen.

24. Customer Service Information

: Save the customer service (supplier) contact information. Please refer to the customer service information if you have any inquiries regarding the InBody Test, or problems that cannot be resolved through the 'Troubleshooting' menu.

25. Auto-Lock

: Set the password and wait time for auto-lock on the InBody770.

2) Troubleshooting: See additional information on how to use the InBody. Refer to the troubleshooting checklist when there are problems that occur during the InBody use/test.

01. Customer Service Information

: See the customer service contact information saved under the Setup of the Administrator Menu '24. Customer Service Information'. Please contact the customer service if your problem cannot be resolved through the 'Troubleshooting' or if you need further inquiries regarding the InBody Test.

02. Results Sheet does not print.

: View the troubleshooting checklist when the Results Sheet does not print by the printer connected to the InBody.

03. Weight is not being measured.

: View the troubleshooting checklist when weight is not being measured, after stepping on to the InBody footplate.

04. Weight measurement seems to be inaccurate.

: View the troubleshooting checklist when the weight measurement seems to be inaccurate.

05. The InBody Test has stopped.

: View the troubleshooting checklist when the InBody Test has stopped.

06. Test results seem to be inaccurate.

: View the troubleshooting checklist when the test results seem to be inaccurate.

E. Connecting Printer, Stadiometer, and Blood Pressure Monitor

1. Printer

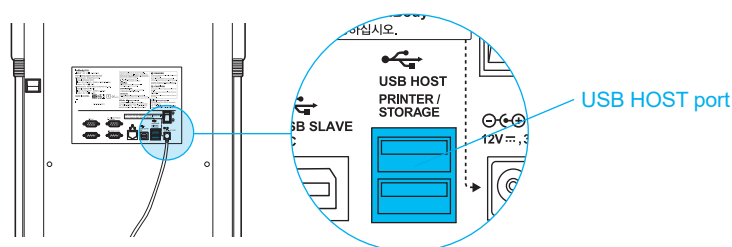
In order to print InBody Results Sheets, an InBody770 compatible printer is required.

* A list of printers compatible with the InBody770 can be found at <https://www.inbodyservice.com>.

1) First turn off the InBody770 and then the printer.

* You may experience connection issues in connecting the printer to the InBody770 if the InBody is turned on.

2) Plug the USB cable provided with the printer into the USB HOST port on the rear panel of the InBody770 and plug the other end of the USB cable into the printer.



3) Turn on the printer.

4) Turn on the InBody770 and setup your printer under Setup of the Administrator Menu '09. Printer Setup'.

5) You can edit your printing settings under Setup of the Administrator Menu from '10. Results Sheet Types' through '15. Printing Alignment'.

2. Stadiometer

If a stadiometer is connected to the InBody770, the height values measured by the stadiometer will be sent directly to the InBody770.

* Always connect the stadiometer from InBody.

To connect the stadiometer to the InBody770, confirm the connection type.

There are two connection types to connect the stadiometer: 9-pin Serial port (Female, RS-232C) and Bluetooth.

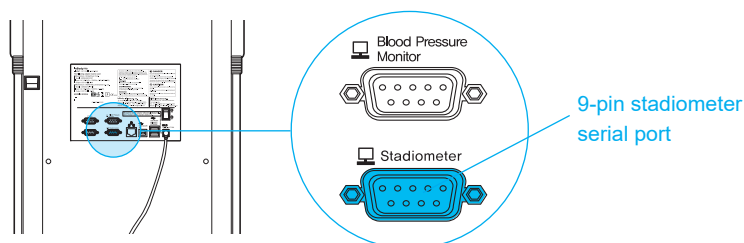
* Connection methods would vary depending on the stadiometer models.

1) 9-pin Serial port (Female, RS-232C)

① First turn off the InBody770 and then the stadiometer.

* You may experience connection issues in connecting the stadiometer to the InBody770 if the InBody is turned on.

② Plug the serial cable provided with the stadiometer to the 9-pin stadiometer serial port on the rear panel of the InBody770.



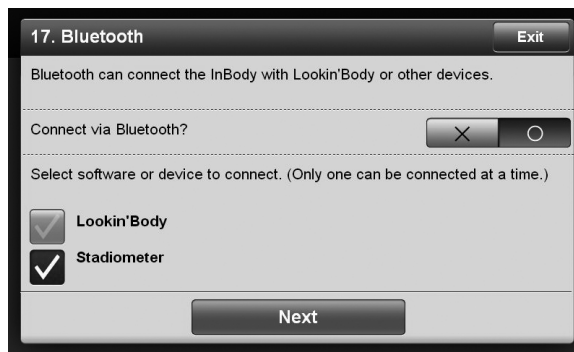
③ Turn on the stadiometer.

④ Turn on the InBody770. If the stadiometer is connected to the InBody770, the stadiometer icon (**1**) will appear on the top left corner of the screen when no one is on the footplate.

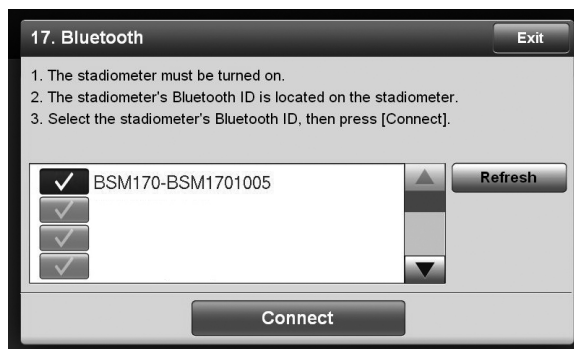
2) Bluetooth

- 1 Press the [Administrator Menu] button on the screen, which appears when no one is on the footplate.
- 2 Input the password (default password: 0000) to access the Administrator Menu.
- 3 Select '19. Bluetooth' in Settings of the Administrator Menu.
- 4 Enable the Bluetooth connection. Bluetooth can connect the InBody to Lookin'Body 120 or other devices. Select 'Stadiometer' to connect via Bluetooth.

* Only one device can be connected via Bluetooth at a time. The InBody will disconnect any other device and then connect to the stadiometer.



- 5 Turn on the stadiometer. The stadiometer's Bluetooth ID is located on the stadiometer.
- 6 Select the stadiometer's Bluetooth ID, then press [Connect].



- 7 If the stadiometer is connected to the InBody770, the stadiometer icon(**1**) will appear on the top left corner of the screen when no one is on the footplate.

3. Blood Pressure Monitor

If a blood pressure monitor is connected to the InBody770, the blood pressure values measured by the blood pressure monitor will be sent directly to the InBody770.

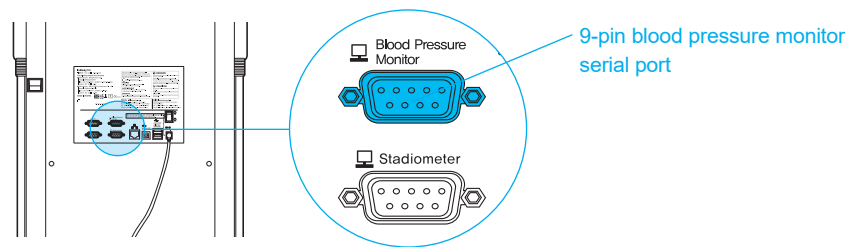
* Always connect a blood pressure monitor from InBody.

* If you select to print blood pressure measurements under Setup of the Administrator Menu '13. Outputs/Interpretations for Results Sheet', the blood pressure measurements will be printed on the InBody Results Sheet.


1) First turn off the InBody770 and then the blood pressure monitor.

* You may experience connection issues in connecting the blood pressure monitor to the InBody770 if the InBody is turned on.

2) Plug the serial cable provided with the blood pressure monitor to the 9-pin blood pressure monitor serial port on the rear panel of the InBody770.



3) Turn on the blood pressure monitor.

4) Turn on the InBody770. If the blood pressure monitor is connected to the InBody770, the blood pressure monitor icon () will appear on the top left corner of the screen when no one is on the footplate.

4. Barcode Reader

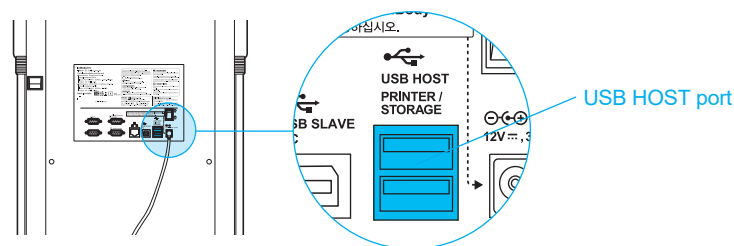
If a barcode reader is connected to the InBody770, the ID will be inputted automatically.


* If the InBody cannot recognize the barcode reader, please contact InBody.

1) First turn off the InBody770.

* You may experience connection issues in connecting the barcode reader to the InBody770 if the InBody is turned on.

2) Plug the USB cable of the barcode reader into the USB HOST port on the rear panel of the InBody770.



3) Turn on the InBody770. If the barcode reader is connected to the InBody770, the barcode reader icon () will appear on the top left corner of the screen when no one is on the footplate.

F. Maintenance

Caution

- Place the hand electrodes on the hand electrode holder to prevent the electrodes from falling down. Dropped hand electrodes may cause malfunctions.
- Do not extend the handles of the hand electrodes beyond its limitation.
- Do not place any objects on the footplate.
- Do not apply excessive force on the equipment.
- Turn off the equipment if you are not using it for a day or longer.
- Do not allow any liquid substances to contact the equipment directly. Keep food and drinks away from the equipment. Substances getting inside the equipment can cause critical damage to the electronic components.
- Use a lint-free cloth to gently wipe the external surface of the equipment about once every week. Be careful not to scratch the LCD screen.

II. InBody Test

A. Precautionary Steps

Warning

- Individuals with medical implant devices such as pacemakers, or essential support devices such as patient monitoring systems, must not use this equipment. Safe, low-level currents will flow through the body during the test, which may cause malfunctioning of the device or endanger lives.
- Children and people with limited mobility should be supervised or assisted when attempting to test on the InBody.
- After an individual with any kind of contagious disease or infection tests on the InBody, use an InBody Tissue to clean the equipment.

Caution

- Stand upright for about 5 minutes before testing. Taking the test immediately after lying in bed or sitting for a long period of time might result in a slight change in the test results. This is because body water tends to move to the lower body as soon as the person stands or gets up.
- Do not eat before testing. In cases where the examinee has already eaten, the test should be put off for at least two hours after the meal. This is because food mass is included in the examinee's weight and thus, may result in measurement errors.
- Use the bathroom before testing. Waste is not included in the body's compositional elements, but the volume of urine and excrement is included in the weight measurement affecting accuracy of the test results.
- Do not exercise before testing. Strenuous exercise or sharp movements can cause temporary changes in body composition. Even light exercise can change your body composition temporarily.
- Take the test in the morning, if possible. Body water tends to gravitate towards the lower body throughout the day, affecting accuracy of the test results.
- Thoroughly wipe the palms and soles with the InBody Tissue before testing. Testing may be difficult if the examinee's palms and soles are too dry or if the examinee has too many calluses.
- Avoid contact with the examinee during testing. Contact may lead to interference affecting test results.

B. Test Instructions

1. Step on the footplate when the screen below is shown.

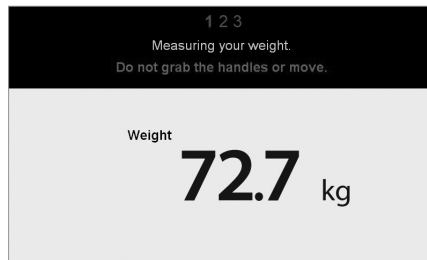
* The screens vary according to the Setup of the Administrator Menu '02. Self Mode/Professional Mode'.

Professional Mode: An examiner is present and guiding the examinee through the InBody Test.

Self Mode: The examinee takes the InBody Test following the instructions that are displayed on screen.

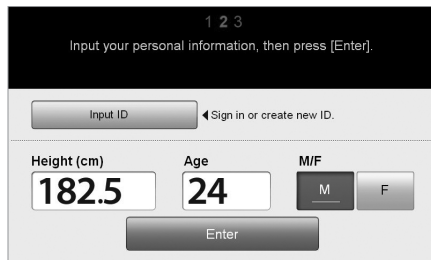


2. Weight measurement begins.



3. Input personal information.

* Input height only if using Self Mode.



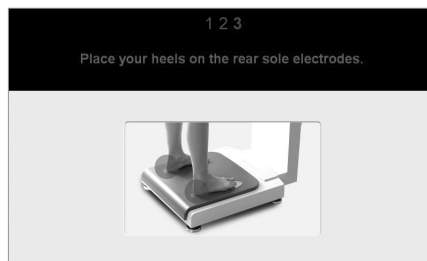
Professional Mode



Self Mode

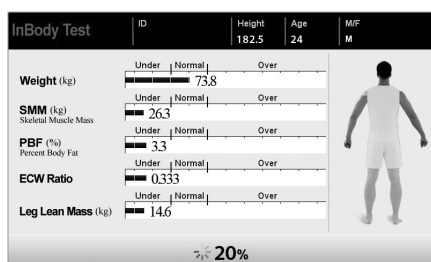
4. Maintain proper posture to take the test.

* Refer to 'C. Test Posture' for the proper posture.

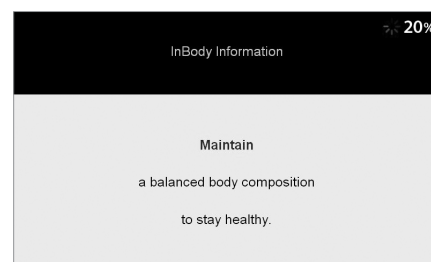


5. The InBody Test begins.

* InBody Information is shown if using Self Mode.

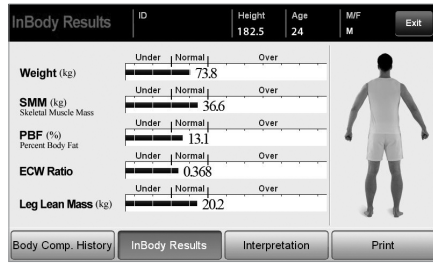


Professional Mode



Self Mode

6. When the test is completed, the results will be shown on screen.



Professional Mode

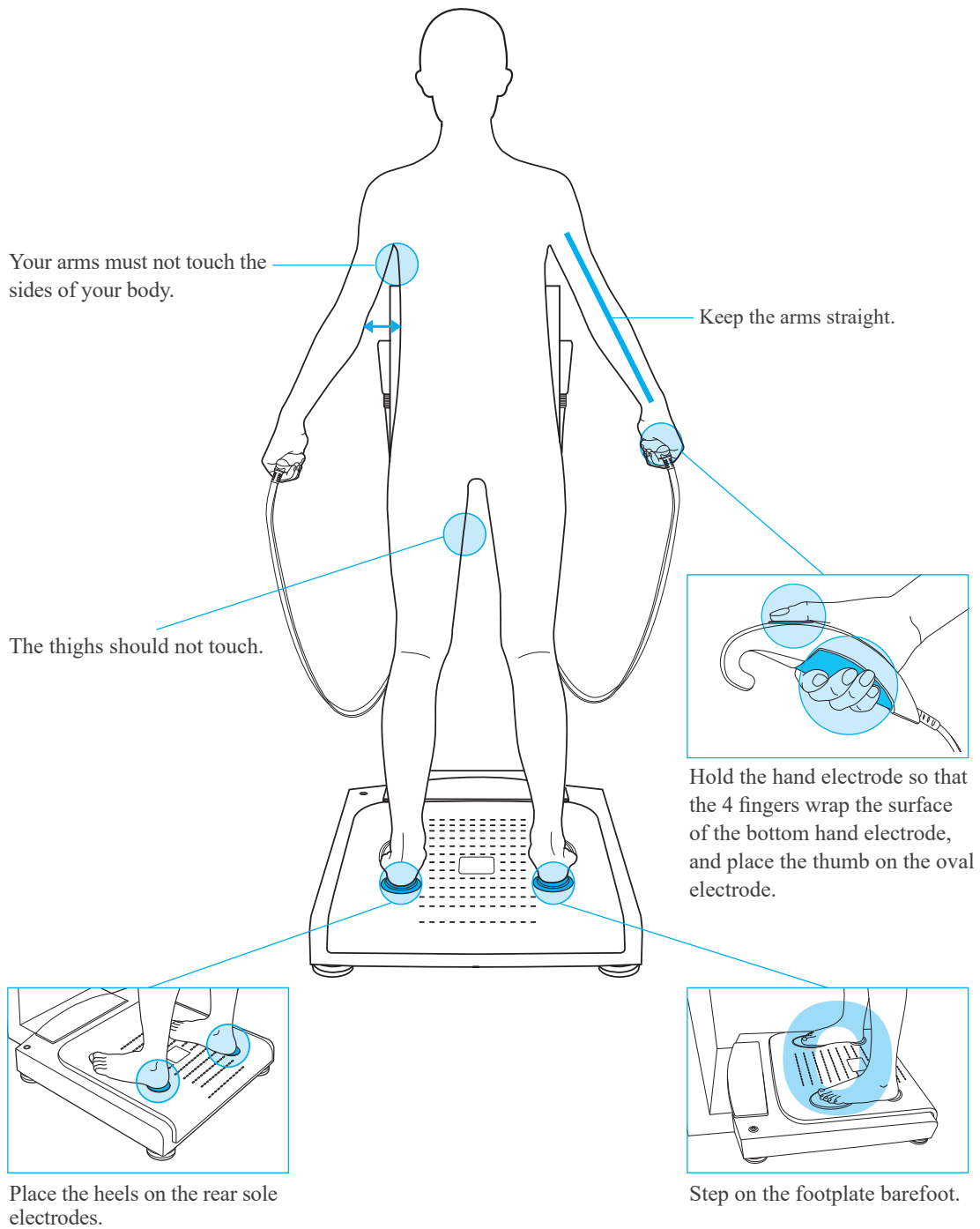


Self Mode

C. Test Posture

The examinee must maintain proper posture to have accurate test results.

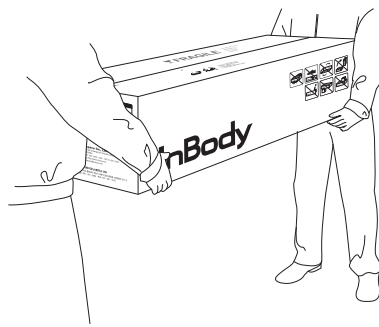
* The test will proceed when there is good electrical contact.



III. Transportation and Storage

A. Cautions during Transportation

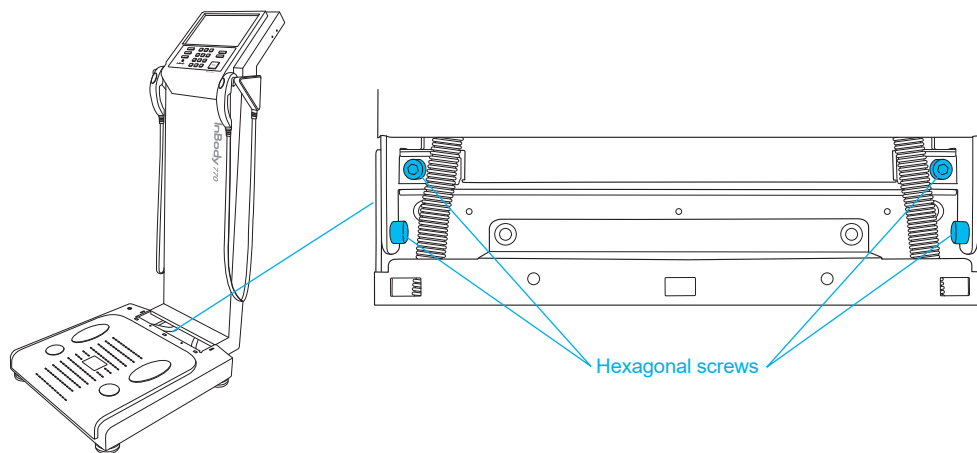
When transporting, have two people keep the InBody770 parallel to the ground.



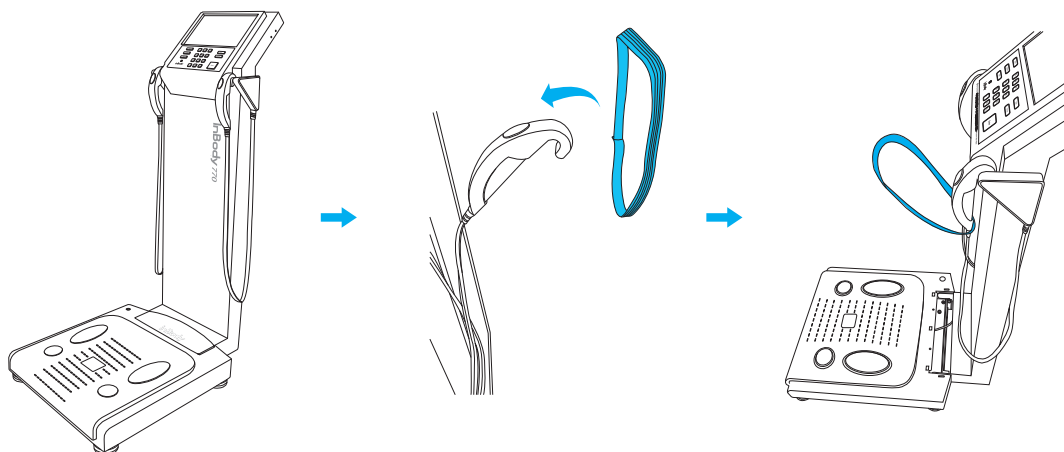
B. Repacking Instructions

Once the InBody770 is installed, avoid transporting the equipment. If it must be transported, repack it in the following sequence.

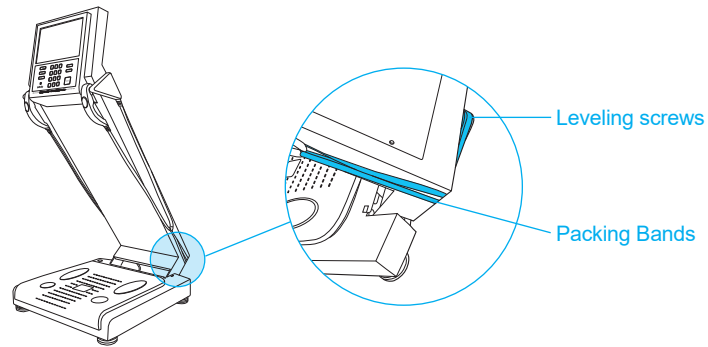
1. Turn off the InBody770.
2. Separate the connected Adapter, cords and cables from the equipment. Place both hand electrodes on the hand electrode holders.
3. Loosen the hexagonal screws which are located on the joints of the InBody770 to counter-clockwise using the Hexagonal Wrench.



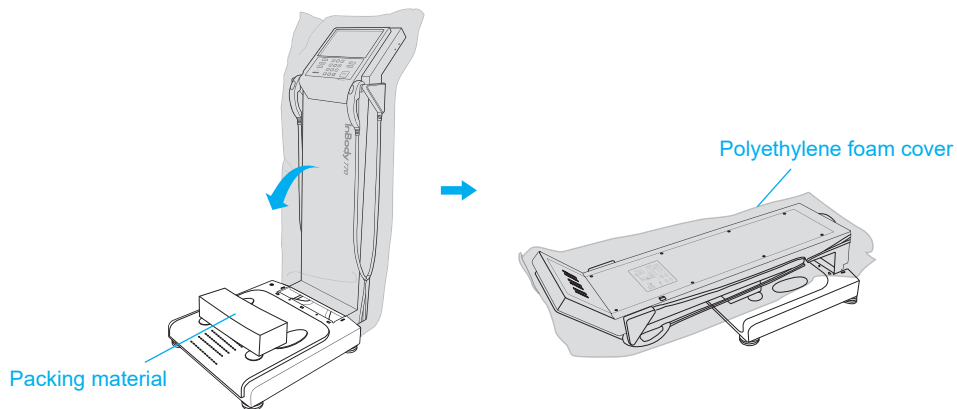
4. Please refer to the following illustrations to properly hang the Packing Bands on the hand electrodes.



5. Slightly lower the upper part of the InBody770 and hook the Packing Band to the leveling screws as illustrated below.



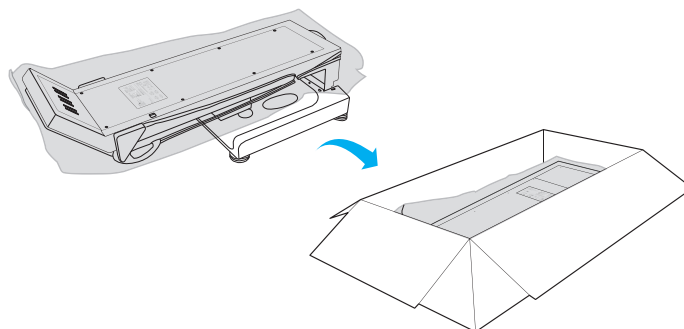
6. Place the packing material on the footplate of the InBody770. Cover the InBody770 with the polyethylene foam cover then fold down lower the upper part.



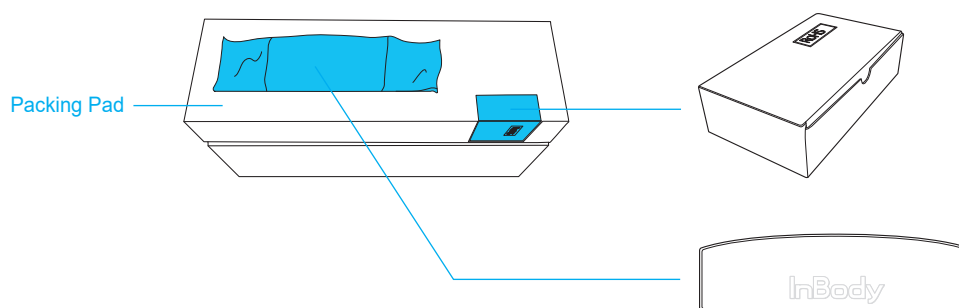
 **Caution**

- Always use the protective packing materials provided by InBody when repacking.

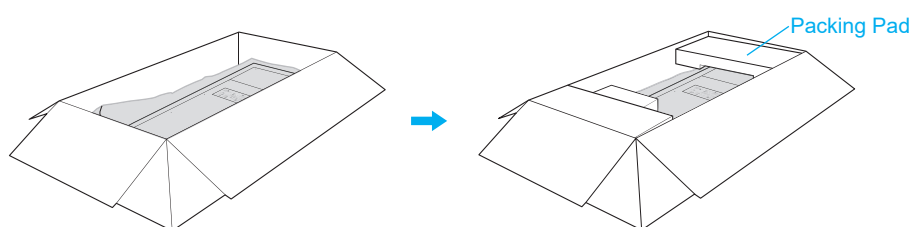
7. Place the InBody into the packing box.



8. Place the Adapter into the Adapter box as illustrated below. Insert the Adapter box and Hinge Cover into the packing material.



9. Place the packing pad over the equipment and tape up the packing box.



C. Transportation and Storage Environment

The InBody770 should be transported or stored under the following conditions.

Temperature range	-10 ~ 70°C (14 ~ 158°F)
Relative humidity	10 ~ 80% RH (No Condensation)
Atmospheric pressure	50 ~ 106kPa

IV. Frequently Asked Questions (FAQ)

Even if no problems arise from the equipment, users may still have many questions, especially regarding clinical procedures. Few common questions and answers are listed below. If your questions are not answered here, please contact InBody.

* Customer contact information can be found under Setup of the Administrator Menu '24. Customer Service Information'.

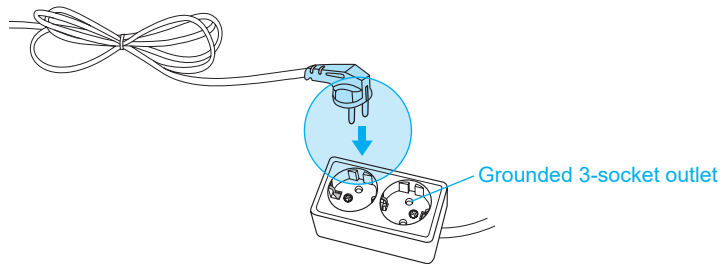
A. Regarding the InBody

If a problem arises with the InBody770, you may first attempt to check the 'Troubleshooting' in the Administrator Menu. The InBody770 can help you diagnose and solve some problems. If your problem cannot be resolved through the 'Troubleshooting', please refer to the possible solutions below.

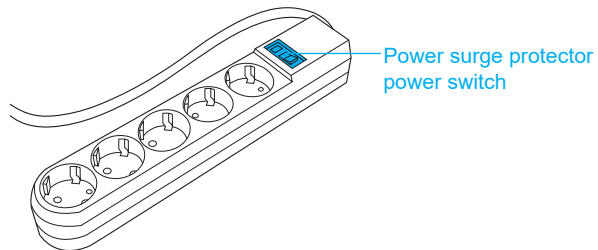
Question	Answer
----------	--------

• My InBody770 does not turn on.

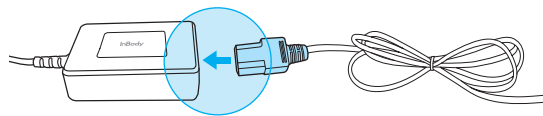
• Insert the power plug completely into a grounded 3-socket outlet.



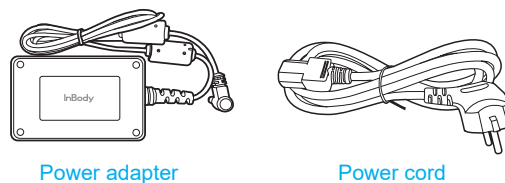
• When using a power surge protector, the equipment may not power on if the power switch on the power surge protector is turned off. Check the power surge protector which the power plug is connected to.



• The problem may occur if the power cord is not completely plugged into the adapter. Insert the power cord completely into the adapter.



• The problem may occur if you are using a power adapter that was not provided by InBody. Always connect a power adapter (DC 12V, 3.4A/3.34A) provided by InBody.



Question	Answer
<ul style="list-style-type: none"> • My touchscreen is inaccurate or not responsive. 	<ul style="list-style-type: none"> • Calibrate the touchscreen under Setup of the Administrator Menu '23. Touchscreen Alignment'. <ul style="list-style-type: none"> * Press firmly to optimize touchscreen response. • If you cannot enter the Administrator Menu due to touchscreen problems, please restart the InBody. The InBody stores the last touchscreen alignment and will automatically recall the previous touchscreen settings. The InBody can also recognize if its touchscreen alignment is off screen and will automatically take the user to the calibration screen after restarting.
<ul style="list-style-type: none"> • I would like to connect other equipment to the InBody770. 	<ul style="list-style-type: none"> • Please refer to 'E. Connecting Printer, Stadiometer, Blood Pressure Monitor, and Barcode Reader' in section 'I. InBody770 Installation' in this User's Manual.

B. Regarding the InBody Test

Some of the more common clinical questions are answered below. If additional questions or more clarification is desired, please contact InBody.

Question	Answer
<ul style="list-style-type: none">• Must socks or stockings be removed for the InBody Test?	<ul style="list-style-type: none">• Bare skin contact is essential in the analysis using the BIA method. Socks or stockings may cause a varying degree of distortion in the results. Socks or stockings must be removed to obtain accurate data.
<ul style="list-style-type: none">• Is it okay to wear accessories (jewelry, watch, rings, etc) or metal objects while taking the InBody Test?	<ul style="list-style-type: none">• The ideal condition for the analysis is simply standing with no clothes and wearing no accessories. However, this may not always be possible. Therefore, we recommend that the examinee remove as many clothing items and accessories that may affect the weight as possible.
<ul style="list-style-type: none">• Who cannot take the InBody Test or will have difficulties taking the InBody Test?	<ul style="list-style-type: none">• Individuals with medical implant devices such as pacemakers, or essential support devices such as patient monitoring systems, must not use this equipment. The currents will flow through the body during the test, which may cause malfunctioning of the device or endanger lives.• Children, amputees, or the elderly, may have trouble testing if they cannot hold the hand electrodes or stand still on the foot electrodes.
<ul style="list-style-type: none">• Can a person with metal implants in their body take the InBody Test?	<ul style="list-style-type: none">• The ideal test methodology is where the examinee does not wear anything metallic. Individuals with metallic implants may have skewed test results due to the conductivity of the metal affecting the results.• As the weight of clothes and other wear affects the results of the body composition analysis, it is strongly recommended to take off any heavy clothing or metallic wear. Except for the weight, jewelry does not effect the body composition analysis, as the contact point with the InBody770 are the hands and feet.
<ul style="list-style-type: none">• I have limited mobility and cannot maintain proper posture for the InBody Test. How can I still be tested?	<ul style="list-style-type: none">• It is impossible to test if an individual cannot maintain contact with the hand or foot electrodes. InBody has a line of products that conduct body composition analysis on bed ridden examinees that allow the patients to stay in bed. For more information, please contact InBody.
<ul style="list-style-type: none">• Is the electric current harmful to the body?	<ul style="list-style-type: none">• The physiological electric impedance method uses safe low level currents that is not harmful to the body. The safety of the InBody has been tested and proven. The InBody products have been approved for medical use by the CE and all over the world. Many medical institutions around the world are actively using the InBody.
<ul style="list-style-type: none">• How often should I take the InBody Test?	<ul style="list-style-type: none">• Individuals who are undergoing any programs that may affect their body composition are strongly recommended to have the InBody Test done every two to four weeks.• Consistent testing will allow individuals to track and monitor their progress over time.
<ul style="list-style-type: none">• What are the precautionary steps to ensure accuracy of the InBody Test?	<ul style="list-style-type: none">• Please refer to 'A. Precautionary Steps' in section 'II. InBody Test' in this User's Manual.

V. Others

- * The InBody770 is manufactured according to the quality management procedure of InBody. InBody complies with the ISO9001 and ISO13485 which are international quality management systems.
- * This equipment satisfies the IEC60601-1 (EN60601-1), an international safety standard for electronic medical equipment. This equipment also satisfies the IEC60601-1-2 (EN60601-1-2), an international standard for electromagnetic conformity.

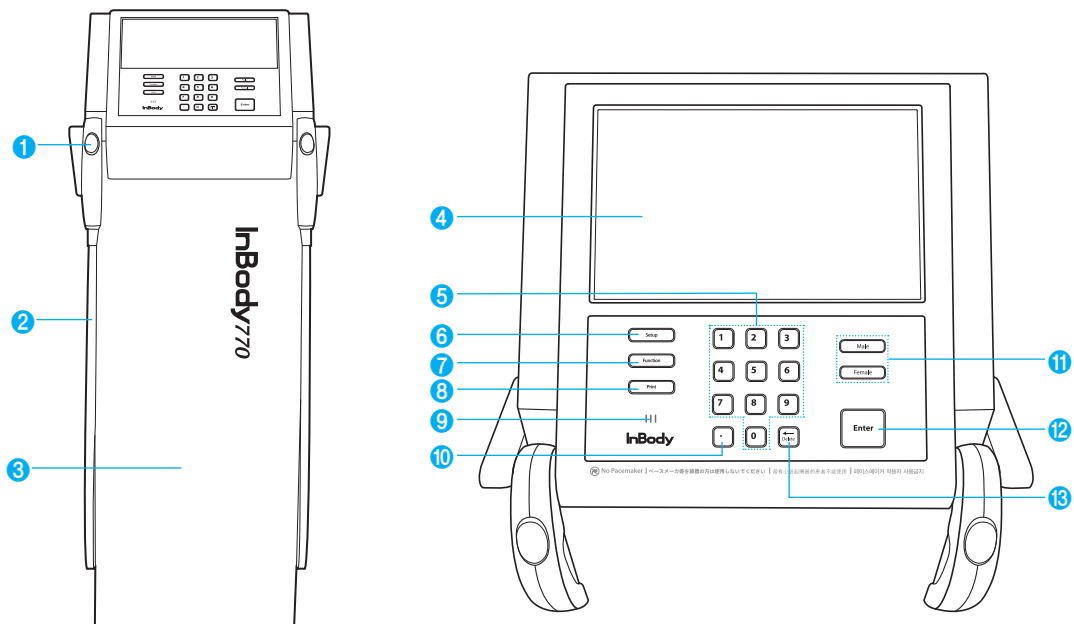
A. Exterior and Functions

The following are the names and functions of each part of the InBody.

- * Please inspect each component of the InBody770 for damage prior to installation.

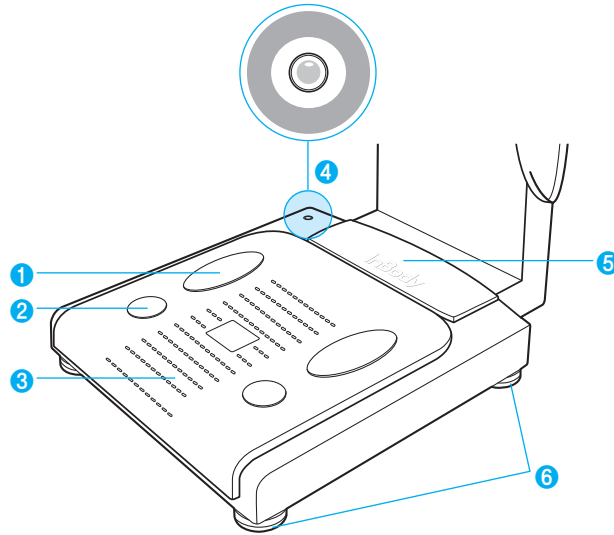
1. Upper Part

- ① Hand electrode: Examinee holds the hand electrode so that the 4 fingers wrap the surface of the bottom hand electrode while the thumb is placed on the oval electrode.
- ② Hand electrode cable: Supports the hand electrode and encloses the wiring for the electrode.
- ③ Body: Connects the upper part of the equipment to the lower part.
- ④ LCD screen: Shows each stage of the test, instructions, test results, etc. You can touch the screen to input the data required for the test, configure settings, or view test results.
- ⑤ Number keypad: Used for inputting age, height, and other number-based data.
- ⑥ Setup button: Used for entering 'Setup' under the Administrator Menu when no one is on the footplate.
- ⑦ Function button: Used for entering 'Troubleshooting' under the Administrator Menu when no one is on the footplate.
- ⑧ Print button: Used for printing the test results.
- ⑨ Speaker: Provides audible indication for test in progress, test complete, and successfully saved setting changes.
- ⑩ Decimal point button: Used for inputting the decimal point in ID, height, age, or weight.
- ⑪ Gender buttons: Used for selecting gender (Male or Female).
- ⑫ Enter button: Used to finish inputting data or to save changes in Administrator Menu.
- ⑬ Delete button: Used for deleting inputted data.



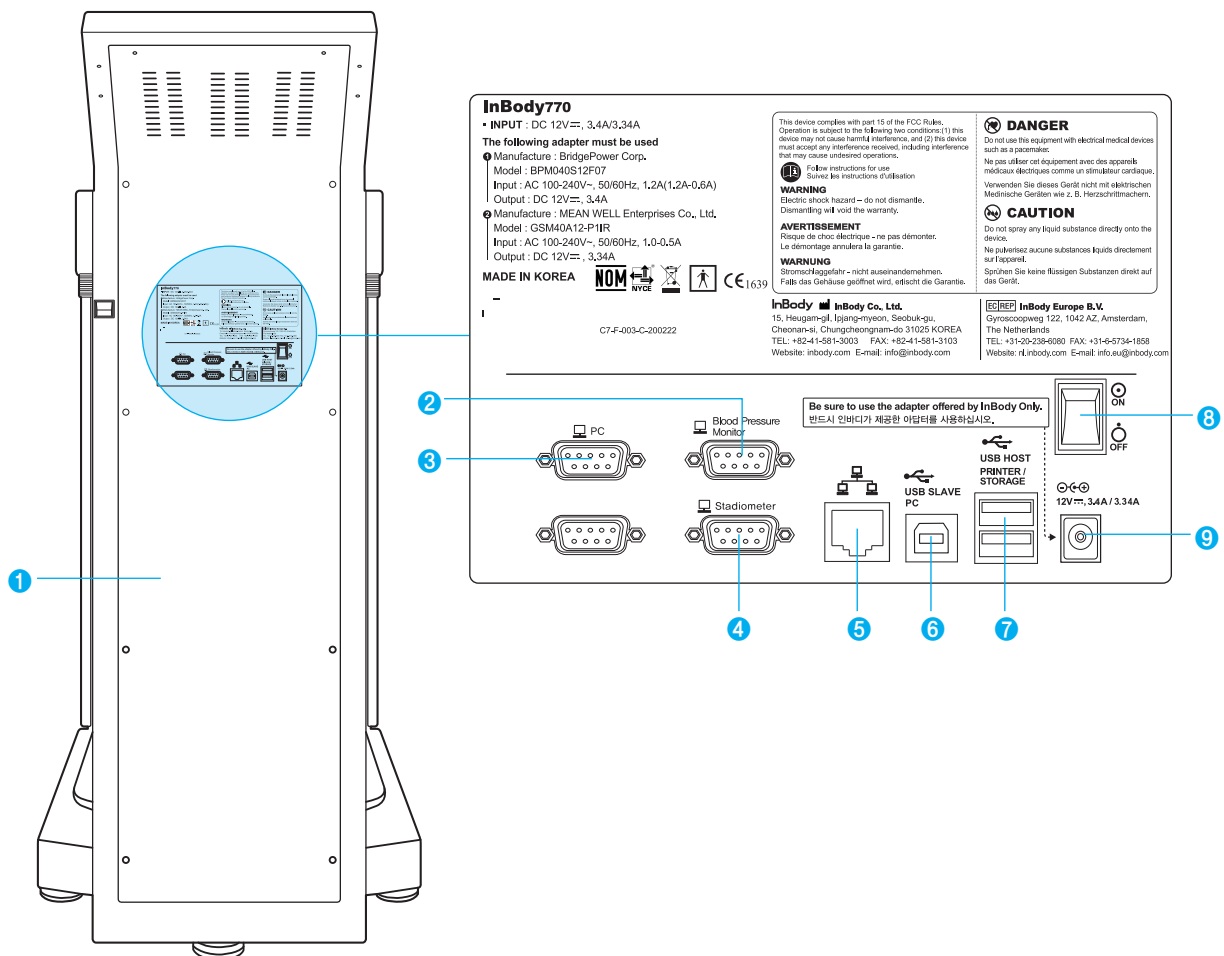
2. Footplate

- ① Front sole electrode: The examinee makes contact with this electrode by stepping with the front part of their foot.
- ② Rear sole electrode: The examinee makes contact with this electrode by stepping with the heel of their foot.
- ③ Footplate: This is connected to the scale, which measures the examinee's weight.
- ④ Level indicator: Indicates the current horizontal level of the InBody770.
- ⑤ Hinge Cover: Joins the upper part and lower part of the equipment together.
- ⑥ Leveling screws: Used for adjusting the horizontal level of the equipment.






3. Rear Panel

- 1 Rear cover: Designed to be opened only by InBody service personnel for checking internal circuits, etc.
- 2 9-pin blood pressure monitor serial port (Female, RS-232C): Used for connecting the InBody770 to a blood pressure monitor.
* Only compatible with a InBody blood pressure monitor.
- 3 9-pin PC serial port (Female, RS-232C): Used for connecting the InBody770 to Lookin'Body120 installed on the computer.
* The InBody770 can be connected to Lookin'Body120 installed on a computer using one of the ports 3, 5, or 6.
- 4 9-pin stadiometer serial port (Female, RS-232C): Used for connecting the InBody770 to a stadiometer.
* Only compatible with a InBody stadiometer.
- 5 LAN port (10T Base): Used for connecting the InBody770 to Lookin'Body120 installed on a computer.
* The InBody770 can be connected to Lookin'Body120 installed on a computer using one of the ports 3, 5, or 6.
- 6 USB SLAVE port: Used for connecting the InBody770 to Lookin'Body120 installed on a computer.
* The InBody770 can be connected to Lookin'Body120 installed on a computer using one of the ports 3, 5, or 6.
- 7 USB HOST port: Used for connecting to a printer, a barcode reader, or a USB Thumb Drive.
- 8 Power switch: Used for turning on/off the equipment.
- 9 Power input port: Used for connecting to the power adapter.
* Always use the specified adapter provided by InBody as it is a part of the InBody770. Using other adapters may result in malfunction of the InBody770.









B. Safety Information

Indicators

	9-pin serial port (Female, RS-232C)
	LAN port (Ethernet, 10T Base)
	USB port

Safety Symbols

	Dangerous High Voltage
	Warning, Caution
	BF Type Equipment
 12V ~, 3.4A/3.34A	Adapter
	Power On
	Power Off

Etc. Symbols

	European Conformity		Serial number
	Manufacturer		Direct current
	Authorized representative in the EUROPEAN COMMUNITY		Operating instructions



Follow instructions for use
Suivez les instructions d'utilisation

WARNING

Electric shock hazard – do not dismantle.
Dismantling will void the warranty.

AVERTISSEMENT

Risque de choc électrique - ne pas démonter.
Le démontage annulera la garantie.

DANGER

Do not use this equipment with electrical medical device such as a pacemaker.

Ne pas utiliser cet équipement avec des appareils médicaux électriques comme un stimulateur cardiaque.

CAUTION

Do not spray any liquid substance directly onto the device.

Ne pulvérisez aucune substances liquids directement sur l'appareil.

CAUTION

No excessive force on shoulder joint

Ne pas appliquer de force excessive sur les bars articulés.

C. Classification

Body Composition Analyzer of Direct Segmental Multi-frequency Bioelectrical Impedance Analysis Method

- Type of protection against electric shock: Class I
- Type of the applied parts: BF Type
- EMC Immunity: Level A
- EMC Emission: CLASS A
- Degree of protection against water: IPX0

D. Specifications

Bioelectrical Impedance Analysis (BIA) Measurement Items	Bioelectrical Impedance (Z)	30 Impedance Measurements by Using 6 Different Frequencies (1kHz, 5kHz, 50kHz, 250kHz, 500kHz, 1000kHz) at Each of 5 Segments (Right Arm, Left Arm, Trunk, Right Leg, and Left Leg)
	Reactance (Xc)	15 Impedance Measurements by Using 3 Different Frequencies (5kHz, 50kHz, 250kHz) at Each of 5 Segments (Right Arm, Left Arm, Trunk, Right Leg, and Left Leg)
Electrode Method	Tetrapolar 8-Point Tactile Electrodes	
Measurement Method	Direct Segmental Multi-frequency Bioelectrical Impedance Analysis Method (DSM-BIA) Simultaneous Multi-frequency Impedance Measurement (SMFIM)	
Body Composition Calculation Method	No Empirical Estimation	
Outputs (InBody Results Sheet)	Results and Interpretations <ul style="list-style-type: none">• Body Composition Analysis (Total Body Water, Protein, Soft Lean Mass, Minerals, Fat Free Mass, Body Fat Mass, Weight)• Muscle-Fat Analysis (Weight, Skeletal Muscle Mass, Body Fat Mass)• Obesity Analysis (Body Mass Index, Percent Body Fat)• Segmental Lean Analysis (Based on ideal weight/Based on current weight: Right Arm, Left Arm, Trunk, Right Leg, Left Leg)• ECW Ratio Analysis (ECW Ratio)• Body Composition History (Weight, Skeletal Muscle Mass, Percent Body Fat, ECW Ratio)• InBody Score• Visceral Fat Area (Graph)• Body Type (Based on BMI/Percent Body Fat: Athletic Shape, Slightly Obese, Obesity, Muscular Shape, Average, Slightly Obese, Slim Muscular, Slim Sarcopenic Obesity, Thin, Slightly Thin)	

<p>Outputs (InBody Results Sheet)</p>	<ul style="list-style-type: none"> • Weight Control (Target Weight, Weight Control, Fat Control, Muscle Control) • Nutrition Evaluation (Protein, Minerals, Fat Mass) • Obesity Evaluation (BMI, Percent Body Fat) • Body Balance Evaluation (Upper, Lower, Upper-Lower) • Segmental Fat Analysis (Right Arm, Left Arm, Trunk, Right Leg, Left Leg) • Segmental Body Water Analysis (Right Arm, Left Arm, Trunk, Right Leg, Left Leg) • Segmental ICW Analysis (Right Arm, Left Arm, Trunk, Right Leg, Left Leg) • Segmental ECW Analysis (Right Arm, Left Arm, Trunk, Right Leg, Left Leg) • Segmental Circumference (Neck, Chest, Abdomen, Hip, Right Arm, Left Arm, Right Thigh, Left Thigh) • Waist-Hip Ratio (Graph) • Visceral Fat Level (Graph) • Research Parameters (Intracellular Water, Extracellular Water, Skeletal Muscle Mass, Basal Metabolic Rate, Waist-Hip Ratio, Waist Circumference, Visceral Fat Level, Visceral Fat Area, Obesity Degree, Bone Mineral Content, Body Cell Mass, Arm Circumference, Arm Muscle Circumference, FFMI, FMI) <p>Results Interpretation QR Code Reactance (5kHz, 50kHz, 250kHz) Whole Body Phase Angle (50kHz) Segmental Phase Angle (50kHz, Right Arm, Left Arm, Trunk, Right Leg, Left Leg) Impedance (Each segment and each frequency)</p>
<p>Outputs (InBody Result Sheet for Children)</p>	<p>Results and Interpretations</p> <ul style="list-style-type: none"> • Body Composition Analysis (Total Body Water, Protein, Minerals, Body Fat Mass, Weight) • Muscle-Fat Analysis (Weight, Skeletal Muscle Mass, Body Fat Mass) • Obesity Analysis (Body Mass Index, Percent Body Fat) • Growth Graph (Height, Weight, BMI) • Body Composition History (Height, Weight, Skeletal Muscle Mass, Percent Body Fat) • Growth Score • Nutrition Evaluation (Protein, Minerals, Fat Mass) • Obesity Evaluation (BMI, Percent Body Fat) • Body Balance (Upper, Lower, Upper-Lower) • Segmental Lean Analysis (Right Arm, Left Arm, Trunk, Right Leg, Left Leg) • Segmental Body Water Analysis (Right Arm, Left Arm, Trunk, Right Leg, Left Leg) • Research Parameters (Intracellular Water, Extracellular Water, Basal Metabolic Rate, Child Obesity Degree, Bone Mineral Content, Body Cell Mass, FFMI, FMI) <p>Results Interpretation QR Code Reactance (5kHz, 50kHz, 250kHz) Whole Body Phase Angle (50kHz) Segmental Phase Angle (50kHz: Right Arm, Left Arm, Trunk, Right Leg, Left Leg) Impedance (Each segment and each frequency)</p>
<p>Body Water Results Sheet</p>	<p>Results and Interpretations</p> <ul style="list-style-type: none"> • Body Water Composition (Total Body Water, Intracellular Water, Extracellular Water) • ECW Ratio Analysis (ECW Ratio) • Segmental Body Water Analysis (Graph, Right Arm, Left Arm, Trunk, Right Leg, Left Leg) • Segmental ECW Ratio Analysis (Right Arm, Left Arm, Trunk, Right Leg, Left Leg) • Body Water Composition History (Weight, Total Body Water, Intracellular Water, Extracellular Water, ECW Ratio) • Segmental Body Water Analysis (Right Arm, Left Arm, Trunk, Right Leg, Left Leg) • Segmental ICW Analysis (Right Arm, Left Arm, Trunk, Right Leg, Left Leg) • Segmental ECW Analysis (Right Arm, Left Arm, Trunk, Right Leg, Left Leg) • Body Composition Analysis (Protein, Minerals, Body Fat Mass, Soft Lean Mass, Bone Mineral Content) • Muscle-Fat Analysis (Weight, Skeletal Muscle Mass, Soft Lean Mass, Body Fat Mass) • Obesity Evaluation (BMI, Percent Body Fat)

Body Water Results Sheet	<ul style="list-style-type: none"> • Research Parameters (Basal Metabolic Rate, Waist-Hip Ratio, Waist Circumference, Visceral Fat Level, Visceral Fat Area, Obesity Degree, Body Cell Mass, Arm Circumference, Arm Muscle Circumference, TBW/FFM, FFMI, FMI) Results Interpretation QR Code Reactance (5kHz, 50kHz, 250kHz) Whole Body Phase Angle (50kHz) Segmental Phase Angle (50kHz: Right Arm, Left Arm, Trunk, Right Leg, Left Leg) Impedance (Each segment and each frequency) 		
Optional Equipment	Stadiometer from InBody and Blood pressure monitor from InBody		
Logo	Name, Address, and Contact Information can be shown on the InBody Results Sheet.		
Digital Results	LCD Monitor, Data management software Lookin'Body120		
Types of Result Sheets	InBody Test Results Sheet, InBody Test Results Sheet for Children, Body Water Results Sheet		
Voice Guidance	Provides audible indication for test in progress, test complete, and successfully saved settings changes.		
Database	Test results can be saved if the member ID is utilized. The InBody can save up to 100,000 results.		
Test Mode	Self Mode, Professional Mode		
Administrator Menu	Setup: Configure settings and manage data Troubleshooting: Additional information to help use the InBody770		
USB Thumb Drive	Copy the InBody770 data (can be viewed on Excel or Lookin'Body data management software), backup, or restore the InBody770 data		
Barcode Reader	The member ID will be automatically inputted when the barcode ID is scanned.		
Backup data	Backup data saved in the InBody by using a USB Thumb Drive, Restore results on the InBody from a backup file.		
Applied Rating Current	80 μ A A(\pm 10 μ A)		
Adapter	Bridgepower (BPM040S12F07)	Power Input	AC 100-240V, 50/60Hz, 1.2A(1.2A-0.6A)
		Power Output	DC 12V $\overline{\text{---}}$, 3.4A
	Mean Well (GSM 40A12-P11R)	Power Input	AC 100-240V, 50/60Hz, 1.0-0.5A
		Power Output	DC 12V $\overline{\text{---}}$, 3.34A
Display Type	800 \times 480 10.2inch Color TFT LCD		
Internal Interface	Touchscreen, Keypad		
External Interface	RS-232C 4EA, USB HOST 2EA, USB SLAVE 1EA, LAN (10T) 1EA, Bluetooth 1EA, Wi-Fi 1EA		
Compatible Printer	Laser/Inkjet Printers (Printers recommended by InBody) * A list of printers compatible with the InBody770 can be found at https://www.inbodyservice.com		
Dimension	526 (W) \times 854 (L) \times 1175 (H): mm 20.7 (W) \times 33.6 (L) \times 46.3 (H): inch		
Equipment Weight	38kg (83.8lbs)		
Testing Time	About 60 seconds		

Operation Environment	10 ~ 40°C (50 ~ 104°F), 30 ~ 75% RH, 70 ~ 106kPa
Storage Environment	-10 ~ 70°C (14 ~ 158°F), 10 ~ 80% RH, 50 ~ 106kPa (No Condensation)
Testing Weight Range	10 ~ 270kg (22.0 ~ 595lbs)
Testing Age Range	3~99 years
Height Range	95 ~ 220cm (3ft. 1.40in. ~ 7ft. 2.61in.)

* Specifications are subject to be changed without prior notice.

inbody.com

CE₁₆₃₉

©2020 InBody Co., Ltd. All rights reserved. BM-ENG-C7-G-200222
